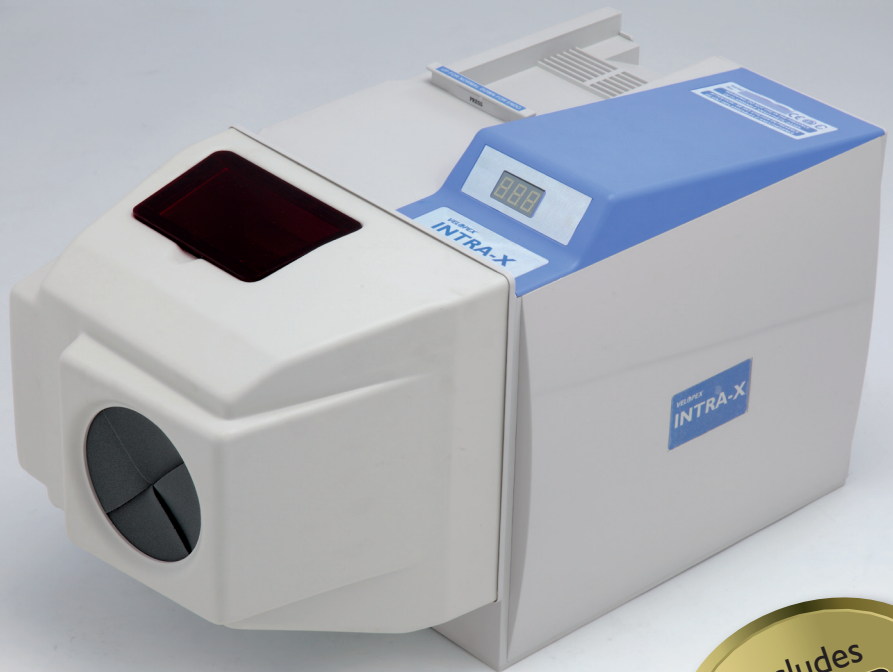
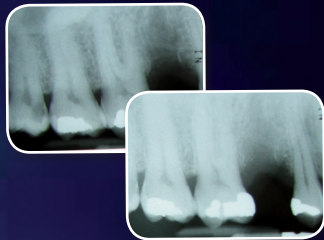


Intra-X

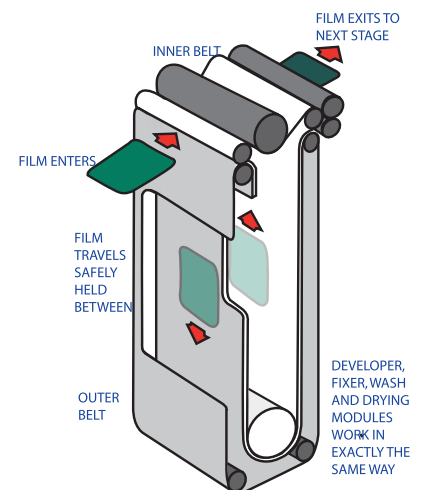
High performance automatic daylight processor for intra-oral x-ray films



The Velopex Intra-X Processor (Daylight) can process all sizes of Intra-oral dental films from size 0 (22x35mm) to size 4 (57x76mm) Dry-to-Dry In under 5 minutes – endo-interrupt facility (size 2, 30x40mm) allows intra-oral film to be removed (wet) after 2 minutes (after fixer). Unit features: auto-start and digital timer display. It comes with magnetic chemical agitation and a free chemical replenishment system to prolong chemical life.



DIMENSIONS:	<i>Width:</i> 290mm/11½"
	<i>Height:</i> 315mm/12½"
	<i>Depth:</i> 635mm/25" (+ daylight loader) 435mm/17" (- daylight loader)
WEIGHT:	<i>Empty:</i> 12.1Kg (26½ lb)
	<i>Full tanks:</i> 13.9Kg (30½ lb)
TANK CAPACITY:	1.4 Litres/ 2.5 Imp pints each
VOLTAGE:	220-240V, 110-120V (50/60Hz)
CHEMICAL TEMP:	<i>Developer:</i> 25°C (77°F)
	<i>Fixer:</i> 27.5°C (81.5°F)
WARM-UP TIME:	10 minutes approx.
FILM FEED SPEED:	470mm (18½") per min
MAX FILM WIDTH:	65mm (2½")
PROCESSING TIME:	<i>Dry:</i> 5 mins approx.
	<i>Wet:</i> 2.5 mins approx.
COMPLIES WITH:	IEC EN 61010-1:2001 (2nd edition)



www.velopex.com

*To qualify for the free two year warranty your unit will need to be serviced at the end of its first year of ownership (between 11 and 14 months) by a Velopex technician.